

● **Characteristic:**

The product is equipped inside with reliable explosion-proof equipment and is highly safe. With its good self-healing characteristic and long life-span. Medium and high voltage, large capacitance, screw, high ripple current.

● **Use:**

It is widely used for air-conditioners, refrigerators, generators, illuminating lamps, etc.

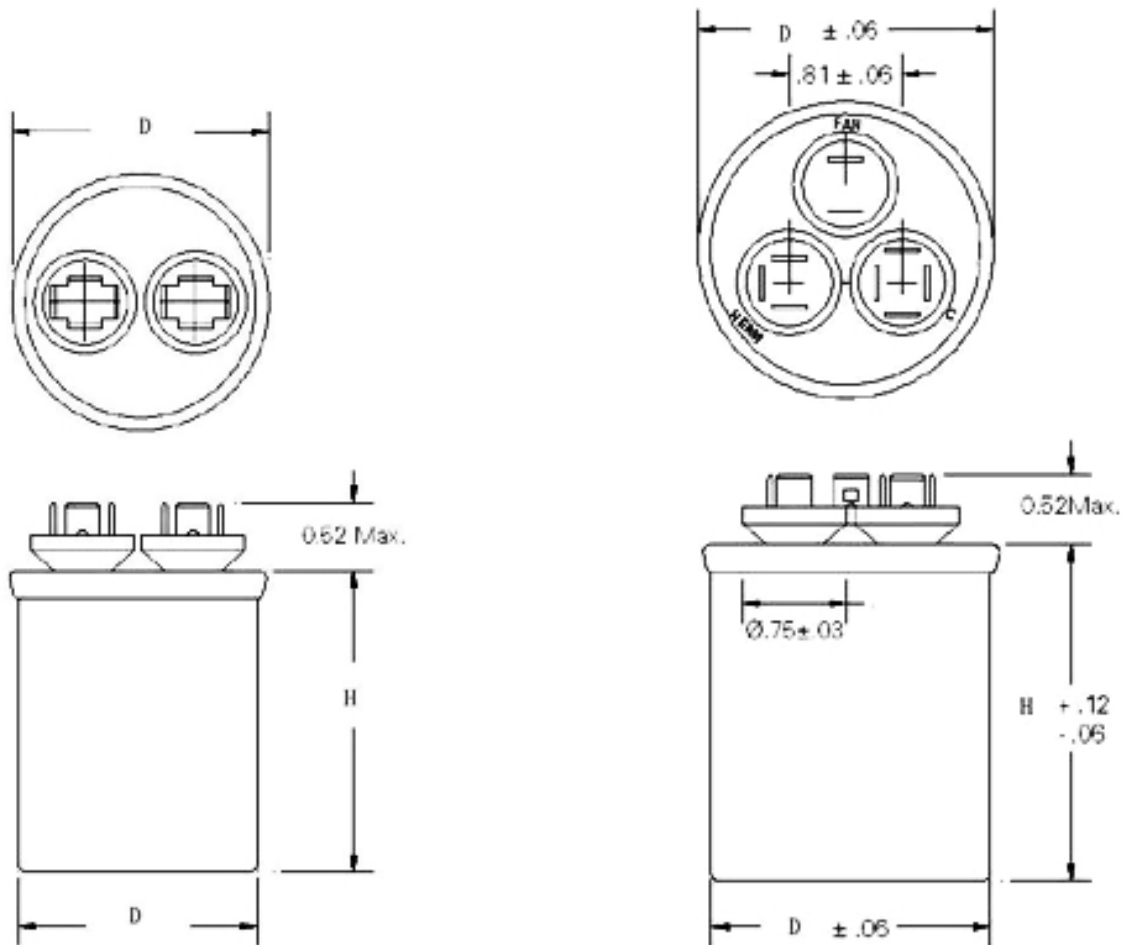
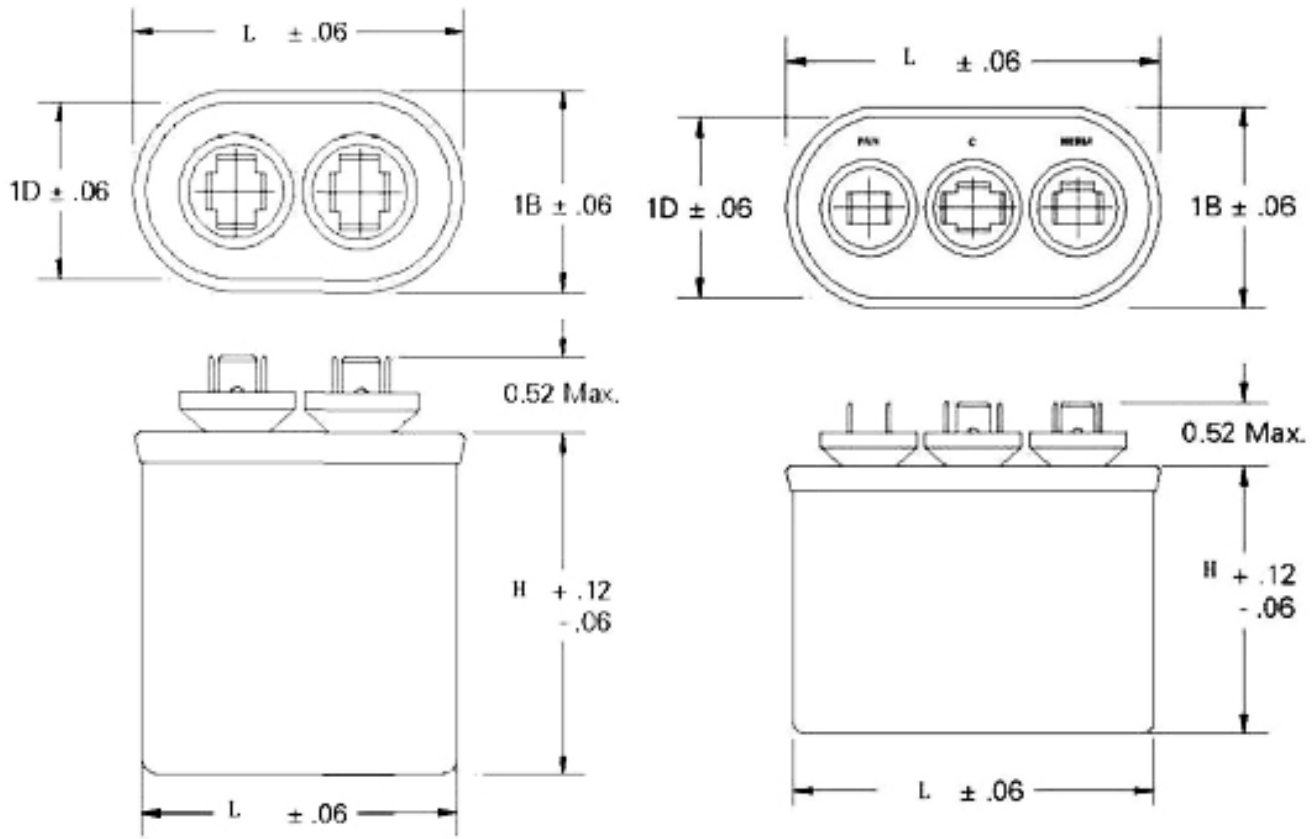
■ **Specifications**

Item	Characteristics
Operating temperature range(°C)	-25~+85
Rated voltage range(V)	250VAC ~630VAC,
Nominal capacitance range(μF)	5~80μF
Capacitance tolerance(%)	± 5%
Leakage current	$I \leq 0.02C_R U_R$ (μA) or 5mA (Whichever is smaller)
Dissipation factor(20°C,120Hz)	$\text{tg } \delta \leq 0.002(50-100\text{Hz})$
Withstand Voltage Between Leading-out ends	$AC \geq 1.75U_n$ 10S ( $I_{\text{max}} \leq 1.3I_n$ )
Withstand Voltage Between Leading-out ends and Shell	2200VAC, 10S no breakdown
Insulation Resistance	3000MO.μF
Weather Category	25/85/21

■ **Sample Picture:**



■ **Structure Drawing:**



**■ Nominal capacitance, rated voltage, and case size table**
**Single TYPE A.C. RUN CAPACITR for 440-450VAC**

MFD(μF)	Round can		Oval can		
	D(mm)	H(mm)	L(mm)	B(mm)	H(mm)
5MFD	40	55	52	32	60
7.5MFD	40	65	52	32	60
10MFD	40	65	52	32	60
12.5MFD	40	75	52	32	60
15MFD	45	75	52	32	60
20MFD	50	85	71	45	80
25MFD	50	85	71	45	80
30MFD	50	100	71	45	90
35MFD	50	100	71	45	90
40MFD	50	100	71	45	90
45MFD	50	100	71	45	90
50MFD	50	125	71	45	90
55MFD	50	125	71	45	110
60MFD	50	125	71	45	110
70MFD	55	125	71	45	110
80MFD	60	125	71	45	130

Note: Special specs are on request

**Dual TYPE A.C. RUN CAPACITR for 440-450VAC**

MFD(μF)	Round can		Oval can		
	D(mm)	H(mm)	L(mm)	B(mm)	H(mm)
15+5MFD	45	80	71	45	80
15+7.5MFD	45	80	71	45	80
15+10MFD	45	90	71	45	80
20+5MFD	45	90	71	45	80
20+7.5MFD	45	90	71	45	80
30+5MFD	50	100	71	45	90
30+7.5MFD	50	100	71	45	90
35+5MFD	50	110	71	45	90
35+7.5MFD	50	110	71	45	90
40+5MFD	50	110	71	45	90
40+7.5MFD	50	110	71	45	90
45+5MFD	50	110	71	45	90
45+7.5MFD	50	110	71	45	90
55+5MFD	55	130	71	45	110
50+7.5MFD	55	130	71	45	110
55+5MFD	55	130	71	45	110
55+7.5MFD	55	130	71	45	110
60+5MFD	60	120	71	45	110
65+5MFD	60	120	71	45	130

Note: Special specs are on request

■ Package:

